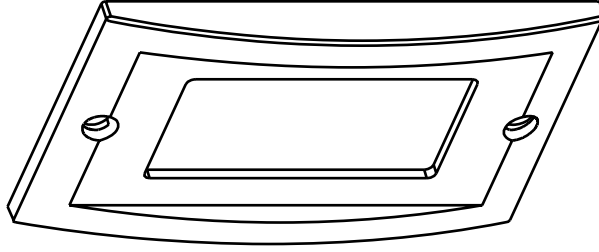
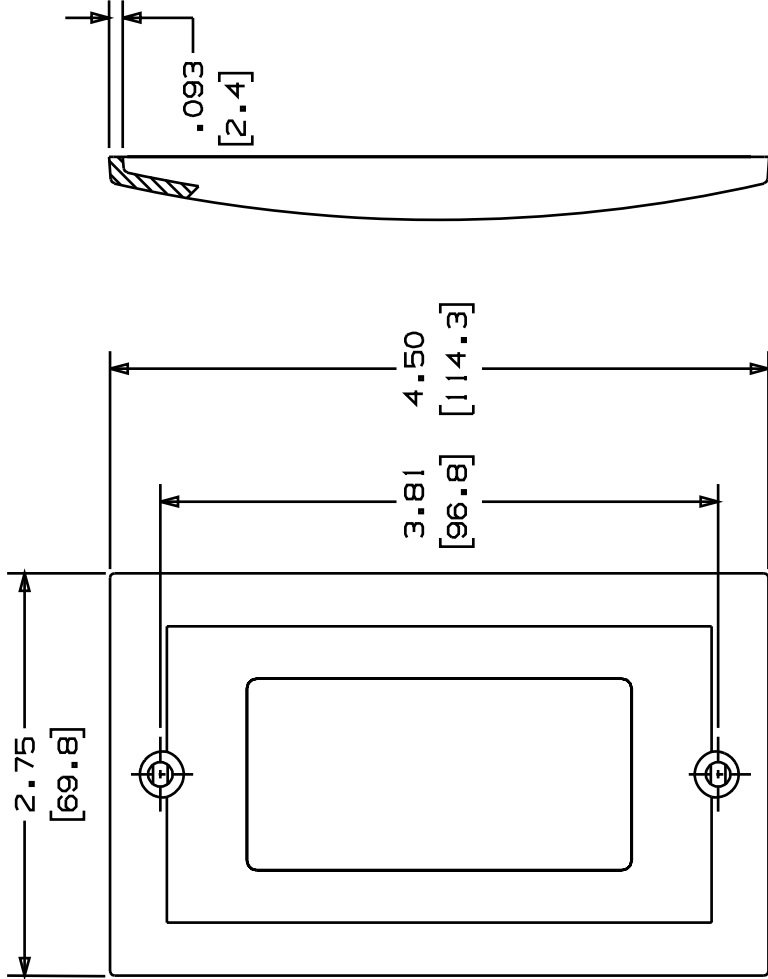


THIS COPY IS PROVIDED ON A RESTRICTED BASIS AND IS NOT TO BE USED IN ANY WAY DETRIMENTAL TO THE INTERESTS OF PANDUIT CORP.

PANDUIT P/N	WEIGHT
ECPG	.44 LB/10 PCS (200 G/10 PCS)

**NOTES:**

1. SEE CURRENT CATALOG FOR ADDITIONAL PART NUMBER SUFFIXES TO INDICATE COLOR AND OR PACKAGE QUANTITY.
2. ACCEPTS SINGLE NEMA STANDARD "GFCI" SWITCHES AND RECEPTACLES.
3. TWO (2) #6 - 32 X 1/4 SCREWS ARE PROVIDED WITH FACEPLATE.
4. ALL DIMENSIONS IN PARENTHESIS ARE IN METRIC.



CAD FILENAME/LAYERS

D35544BN\_GFCI\_C\_00

**PANDUIT**

CORP. TINLEY PARK, ILLINOIS

EXECUTIVE SINGLE GANG GFCI FACEPLATE (ECPG)

CUSTOMER DRAWING

UNLESS OTHERWISE SPECIFIED, DIMENSIONAL TOLERANCES ARE:  
(.X) ±.010(.3)  
(.XX) ±.031(.8) ANGLES ±

UNLESS OTHERWISE SPECIFIED, ALL DIMENSIONS ARE GIVEN IN INCHES, THIRD ANGLE PROJECTION.

DRAWN BY JBA  
DATE 7-23-96  
CHECKED BY

MAT'L:

ABS

SCALE 3/4

DWG NO.

35544-13

DWG

SIZE

REV	DATE	BY	CHK	DESCRIPTION	ECN	CHK	CUST	SUP
R	7-23-96	JBA		RELEASED TO PRODUCTION.	35544-13			